

enel x



Next Gen JuiceBox

User Manual

ENGLISH

Table of contents

Welcome to JuiceBox	3
Package Contents	3
Required Tools	3
Installation	4
Installation Prerequisites	4
Installation	4
Load Balancing	7
Locking Your JuiceBox	7
Wi-Fi Setup	8
WiFi Setup – Mobile Device	8
WiFi Setup – Personal Computer	15
Pairing Alexa	18
Specifications	18
Characteristics	18
Connectivity	19
Dimensions	19
LED Indicator	21
Important Safety Information	22

Welcome to JuiceBox

Package Contents

- > JuiceBox

NOTE



In some markets, JuiceBox arrives secured to a cable holder that includes keys.

- > Wall bracket
- > 2 wall bracket screws (#10 self-tapping Phillips head wood screws)
- > 2 screws to hang JuiceBox onto wall bracket (#10-32 Phillips head machine screws)
- > 1 RFID card (except 80A)

Required Tools

- > Phillips Screwdriver (No. 2 drive size)
- > Stud sensor
- > Stripper
- > Wire nut or wire coupler
- > Allen key
- > Electrical tape
- > Wrench or torque wrench

Installation

Installation Prerequisites

JuiceBox requires either a hardwired electrical connection or a NEMA 14-50 outlet.

The JuiceBox power supply must be connected to a non-GFI circuit breaker that is rated for at least 125% of the device's continuous load.

NOTE



Ensure that all power connection wiring conforms to the rules and regulations of any national and local codes.

When selecting a location to install the hardwire connection or outlet, keep in mind that JuiceBox should be positioned:

- > Within reach of the vehicle's charge port
- > 18 inches above the floor or ground
- > If applicable, within range of a cellular connection or the local Wi-Fi network

Installation

Fully read and understand the directions before installation. Refer to additional safety information at the end of this document.

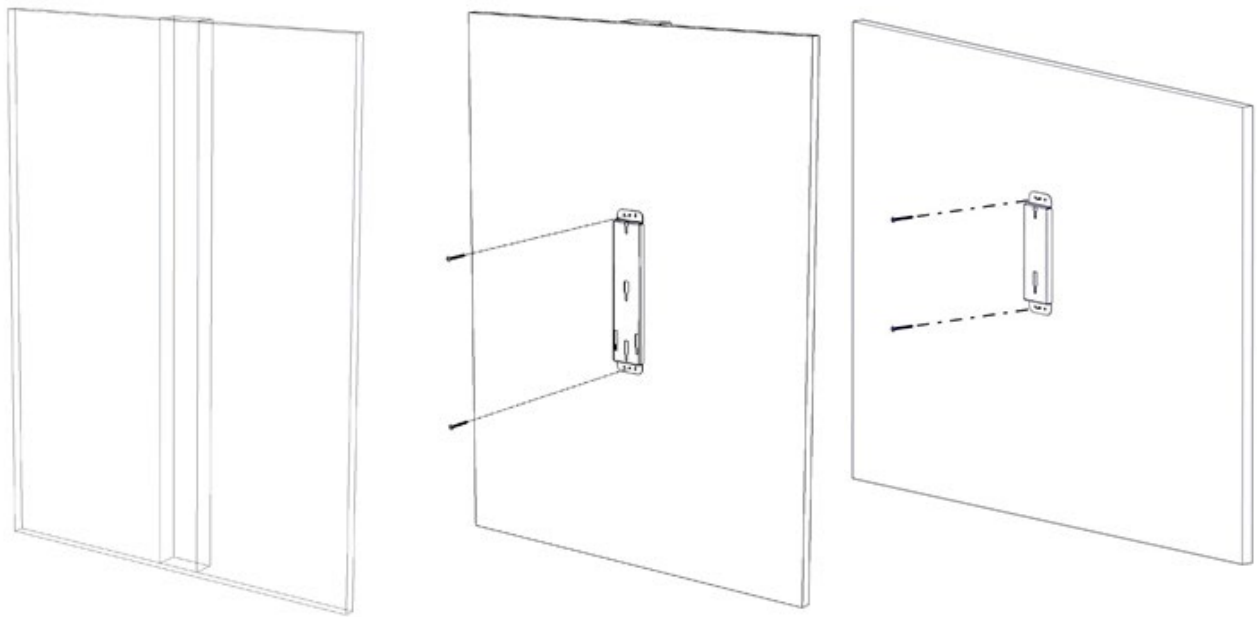
1. Turn off the circuit breaker to the NEMA 14-50 outlet, NEMA 6-50 outlet, or hardwired electrical connection.



WARNING

Do not continue this installation until the circuit breaker is turned off.

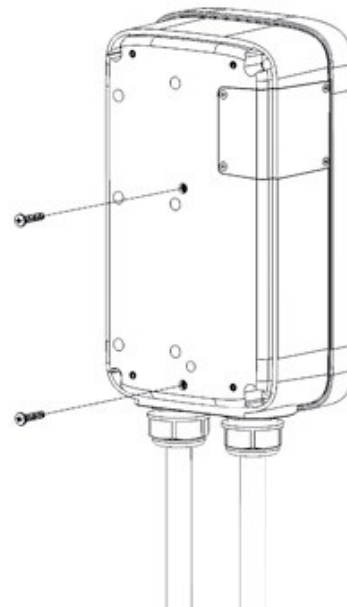
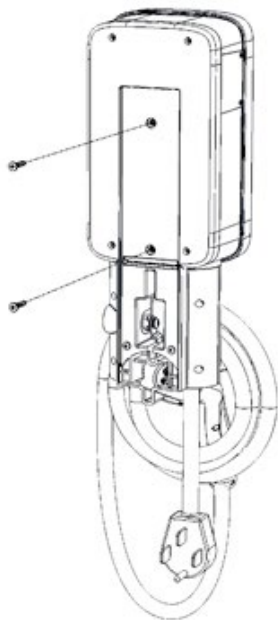
2. Use a stud sensor to determine an appropriate mounting location, then use the 2 screws to secure the wall bracket.



Version with cable holder

Version without cable holder

3. Insert the enclosure screws into the enclosure, as shown. Tighten the screws until approximately 2 mm of thread are visible.



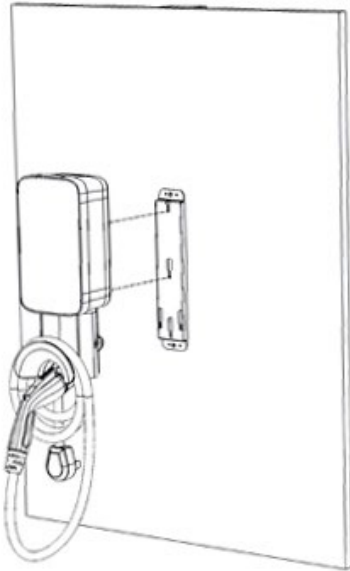
Version with cable holder

Version without cable holder

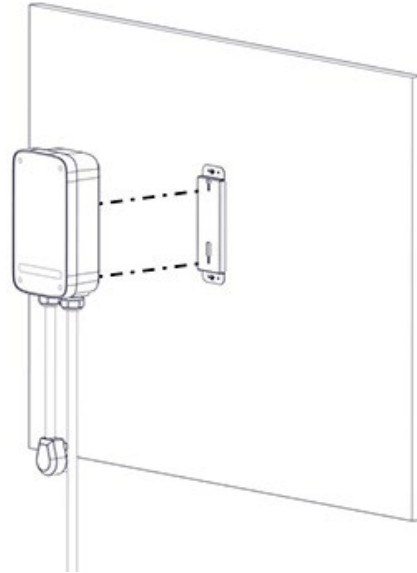
4. Hang the JuiceBox onto the wall bracket.

NOTE

i If the JuiceBox does not hang securely, adjust the screws that were installed in step 3. The 48 and 80 amp are hardwire only and do not have a plug as shown.



Version with cable holder



Version without cable holder

5. Connect the JuiceBox:

- > **Plug-In Version:** Plug the JuiceBox into the NEMA 14-50 outlet or NEMA 6-50 outlet.
- > **1-Phase Hardwired Version:** Connect the harness to the wiring terminal.

⚠ WARNING

It is the installers responsibility to ensure that the JuiceBox is wired in accordance with the local electrical code.

NOTE

i The hardwire versions of the JuiceBox are shipped with appropriate wires that meet the National Electric Code (NEC) NFPA 70 and require a nearby junction box connection. Any alteration of the supplied wiring will invalidate the warranty and may not conform to NEC.

	32A/40A	48A	80A
L1 (Black)	8 AWG	6 AWG	3 AWG
L2 (Red)	8 AWG	6 AWG	3 AWG
Ground (Green)	8 AWG (THHN)	8 AWG (THHN)	6 AWG (THHN)

6. Turn on the circuit breaker that supplies power to the NEMA 14-50 outlet, NEMA 6-50 outlet, or hardwired electrical connection.

Load Balancing

- > Only balance to the circuit level.
- > Only balance stations with the same specifications.
- > Balancing specifications cannot exceed the rated continuous load of the circuit. (50 amp circuit = 40 amp continuous load allowed) (NEC 625.41 & 42) 2017 code.
- > Per NEC 625.42 additional outlets per circuit can be added due to the JuiceNet Automated Load Management System.

Locking Your JuiceBox

After installing your JuiceBox, use the included keys to lock the JuiceBox to the wall frame.

Wi-Fi Setup

WiFi Setup – Mobile Device

For best results, perform this procedure while standing within 5 ft (1.6m) of the JuiceBox.

1. Download and install the “EV JuiceNet” app onto your mobile device.



Video walkthrough of this section



2. Log into the EV JuiceNet app. If you do not have an account, create one.
3. Select **Start**.



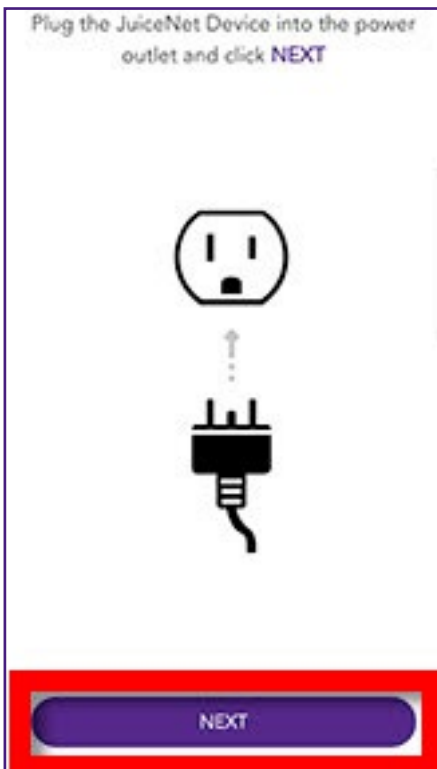
4. Select **Connect Now**.



5. Have the WiFi network password ready, then disconnect power from the JuiceBox. In the app, select **Next**.



6. Connect power to the JuiceBox. In the app, select **Next**.



8. Return to the EV JuiceNet app.




9. In the EV JuiceNet app, select the preferred local WiFi network.

10. Enter the WiFi network password, if necessary, then select **Done / Connect JuiceNet device to Wi-Fi**.

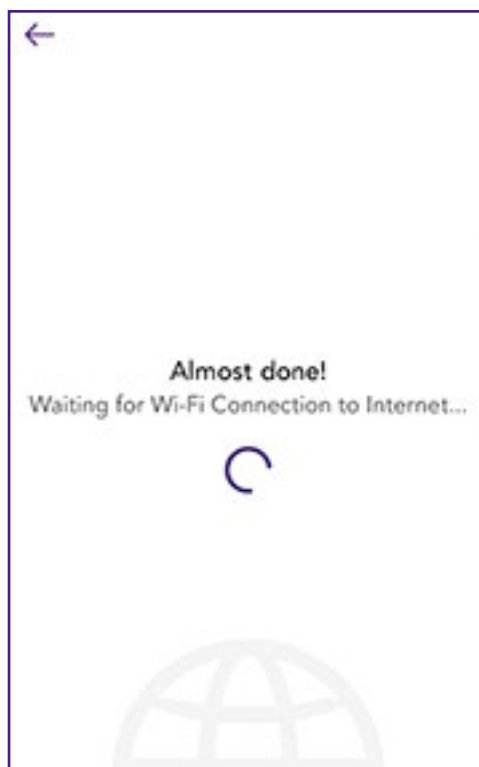


NOTE

 If prompted, verify the password, then select **Done / Password is correct**.



The app connects the JuiceBox to the WiFi network.



11. After the app confirms that WiFi setup is complete, select **Next** to continue to the app home screen.



NOTE



After connecting, JuiceBox checks its firmware version and performs any necessary updates. Wait 10 minutes before plugging in a vehicle.

NOTE



Customize your experience by following the onscreen app instructions to select your vehicle and charging profile, or navigate to the JuiceNet dashboard on a personal computer at <https://home.juice.net>

WiFi Setup – Personal Computer

CONNECT TO WIFI

1. Unplug the JuiceBox, then plug it back in.

NOTE



The following steps must be completed within 2 minutes of plugging in the JuiceBox.

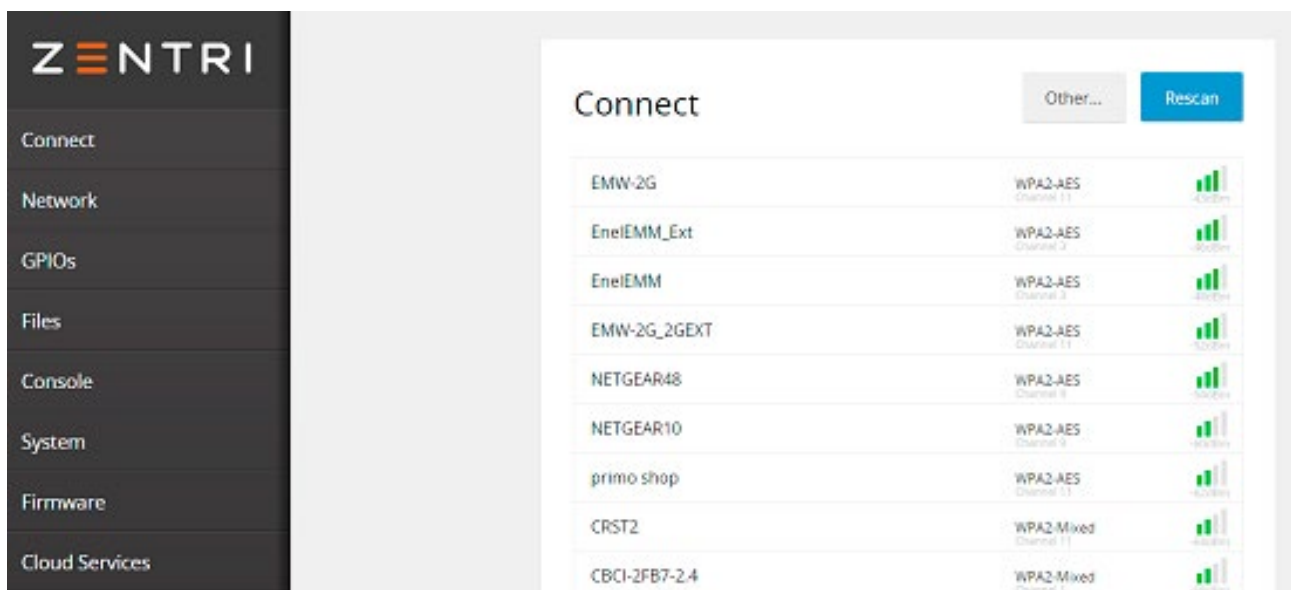
2. Open the WiFi settings on your personal computer. Connect to the "JuiceBox-####" or "JuiceNet-####" WiFi network using the password "GoElectric" (case-sensitive).

NOTE



The actual name of the network varies by device, such as "JuiceBox-123".

3. In a web browser, navigate to 10.10.10.1 or to setup.com to view a list of available WiFi networks.



4. Select the desired WiFi network. Enter the WiFi network password, if necessary. Click **Connect**.

Verify that the JuiceBox is connected by checking that the "Network" indicator on the enclosure is solid blue.

NOTE



After connecting, JuiceBox checks its firmware version and performs any necessary updates. Wait 10 minutes before plugging in a vehicle.

SET UP JUICENET DASHBOARD

1. Log into the [dashboard](#).
2. Select **Add JuiceNet Device**.

My JuiceNet Devices

Your usage

Current electrical load:	Total:
Amperage: 0 amps	Units: 0
Power: 0 kilowatts	Energy: 0 kilowatt-hours
Energy: 0 kilowatt-hours	Savings: \$0

Update device list

+ Add JuiceNet Device

3. Enter the JuiceNet ID and select **Add JuiceNet Device**.

TIP



JuiceNet detects and displays all devices on the local network. Click on the appropriate Device ID to automatically paste it into the entry field.

Add JuiceNet Device

JuiceNetDevice ID *

JuiceNet Devices found on your network (IP Address:)

Item ID	Item Name	Last seen
0817011001010430965118241903	MY JUICEBOX	7/24/2019, 3:55:33 PM

+ Add JuiceNet Device Cancel

4. In the lefthand navigation menu, select **My JuiceNet > My JuiceNet Devices**.
5. Locate the appropriate device and select **MORE DETAILS**.

MY JUICEBOX

08170110010104309651... 235 v
0.0 A
PLUGGED IN 0.0 kW

ENERGY: 21.9 kWh (175.7 total)
SAVINGS: \$8.11 (\$64.94 total)

MORE DETAILS >

6. Select **Settings**.
7. Enter the device name, address, and timezone, then select **Update**.

Status History Settings

RESET AND CLEAR HISTORY Update

JuiceNet Device Settings

Device name
MY JUICEBOX

Address
123 Main
94541

GPS coordinates
-121.7376

Timezone
(UTC-08:00) Pacific Time (US & Canada)

Pairing Alexa

Refer to [Pairing Alexa](#) for more details.

Specifications

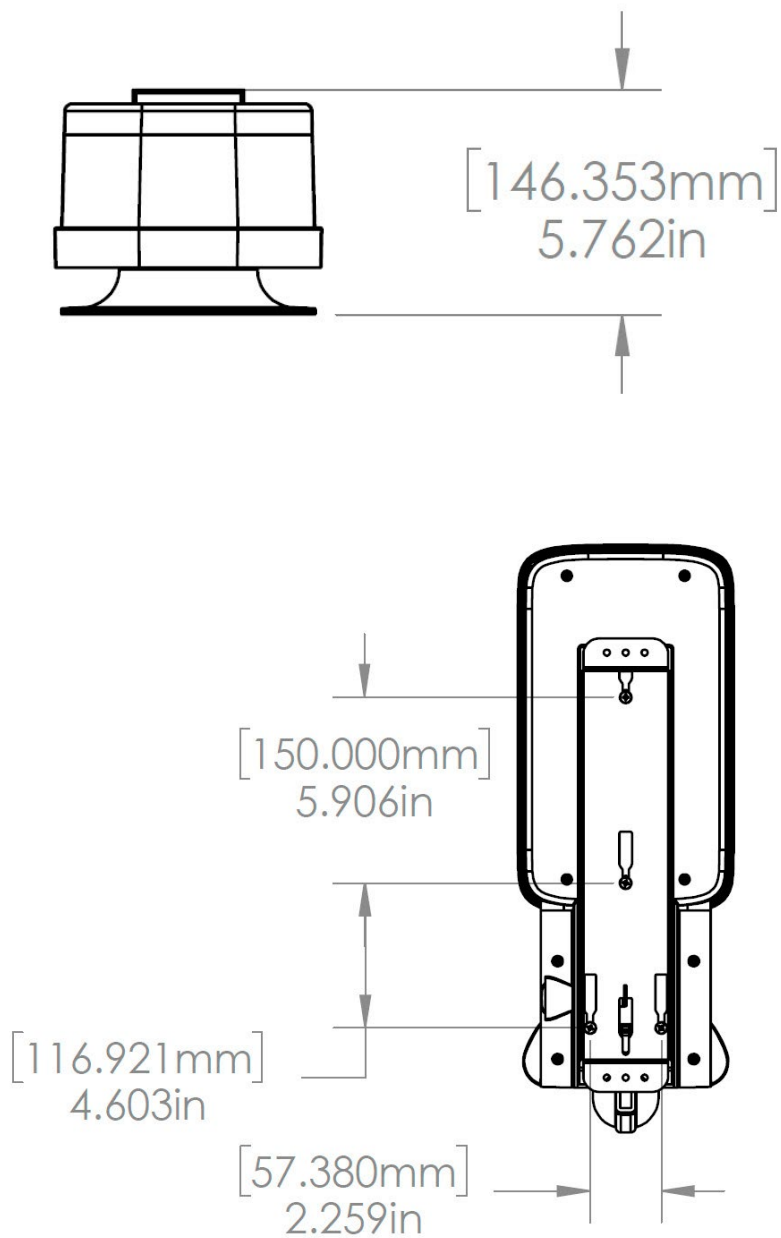
Characteristics

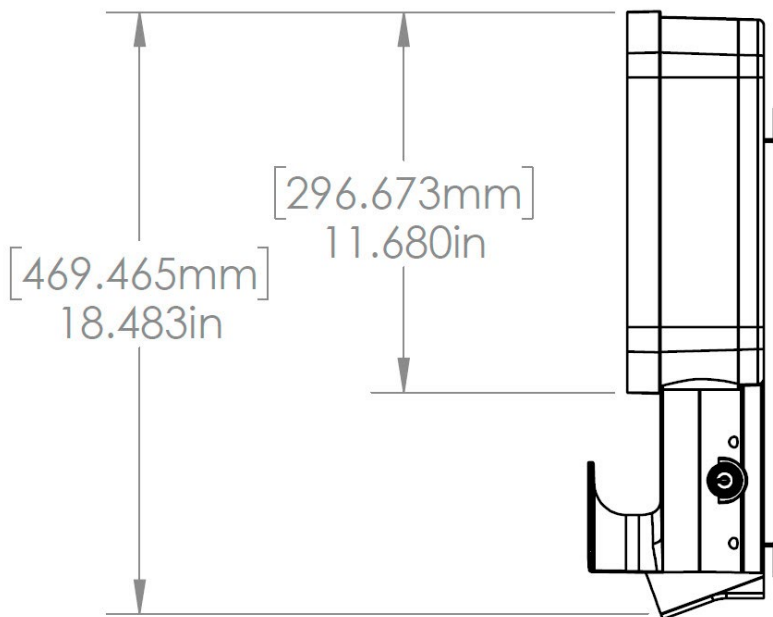
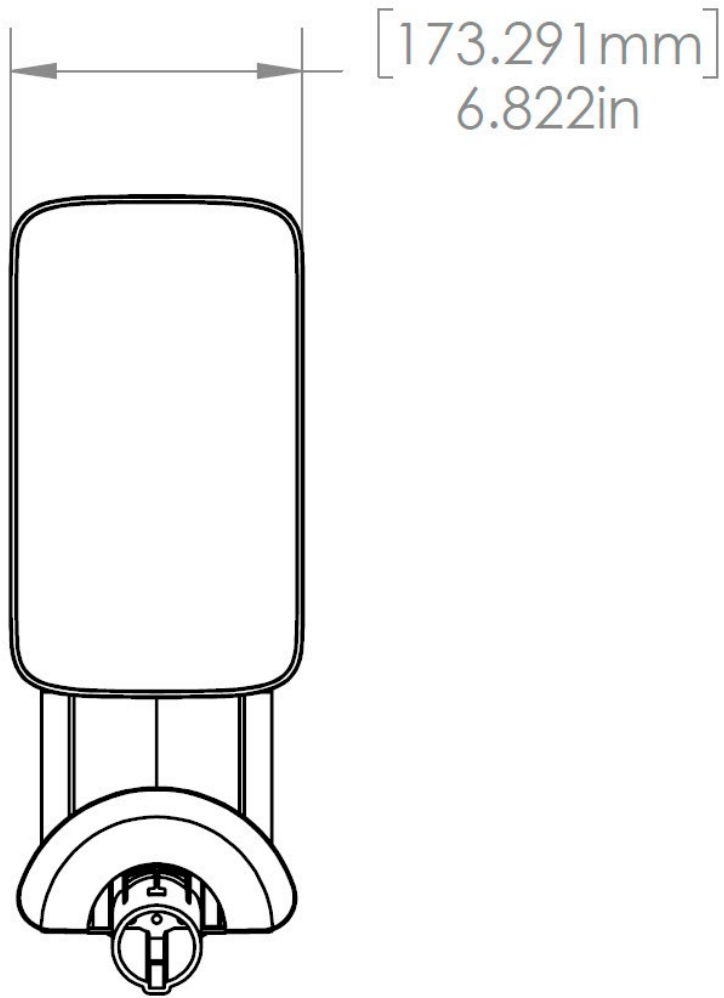
OUTPUT POWER	32A max: Up to 7.7 kW, 32A, 1-phase
	40A max: Up to 9.6 kW, 40A, 1-phase
	48A max: Up to 11.5 kW, 48A, 1-phase
	80A max: Up to 19.2 kW, 80A, 1-phase
INPUT VOLTAGE	208 or 240 VAC
CHARGING MODE	Mode 3
LEDs	Dynamic LEDs displaying charging status
PROTECTION	IP67
	AC 20mA Ground Fault Detection
TEMPERATURE RANGE	From -40°C to +60°C
STANDARDS AND CERTIFICATIONS	IEC 61851-1
	UL Certified

Connectivity

WIFI	IEEE 802.11b/g/n 2.4 GHz
(OPTIONAL) CELLULAR	LTE (CAT-1) Bands B2, B4, B5, B12/B13
3G	Bands B2 (1900), B5 (850); PTCRB and GCF certification

Dimensions





LED Indicator


COLOR	PATTERN	MEANING
Orange	Pulsing	Powering on
Blue	Flashing	Setup Mode
Yellow	Flashing	Vehicle plugged in, charging ended or suspended
All white patterns indicate that unit is online		
White	Solid	Ready to charge
	Flashing	Ready to charge, vehicle not plugged in
All purple patterns indicate that unit is offline		
Purple	Solid	Ready to charge
	Flashing	Ready to charge, vehicle not plugged in
Green	Solid*	Vehicle no longer drawing power*
	Solid (3-second duration)	RFID authorized
	Flashing	Vehicle charging
Red	Solid	Standby mode, not ready to charge
	Flashing	Error (Refer to error codes)


* Firmware release 1.0.30 only.

Important Safety Information


Read all safety information before installing this product.


 **WARNING:** This device should be supervised when used around children.


 **WARNING:** Do not put fingers into the electric vehicle connector.


 **WARNING:** Do not use this product if the flexible power cord is frayed, has broken insulation, or shows any other signs of damage.


 **WARNING:** For use with electric vehicles only.


 **WARNING:** Do not use this device with an extension cord.


 **WARNING:** Do not remove cover or attempt to open the enclosure. No user serviceable parts inside. Refer servicing to qualified service personnel.

 **WARNING:** Install and use away from flammable, explosive, harsh or combustible vapors, materials or chemicals.

 **WARNING:** Do not operate outside temperature rating of -40°C to $+60^{\circ}\text{C}$.

 **WARNING:** This device is intended only for electric vehicles not requiring ventilation during charging.

 **WARNING:** This product must be grounded. If it should malfunction or break down, grounding provides a path of least resistance for electric current to reduce the risk of electric shock.

 **WARNING:** Improper connection of the equipment-grounding conductor is able to result in a risk of electric shock. Check with a qualified electrician or serviceman if you are in doubt as to whether the product is properly grounded.